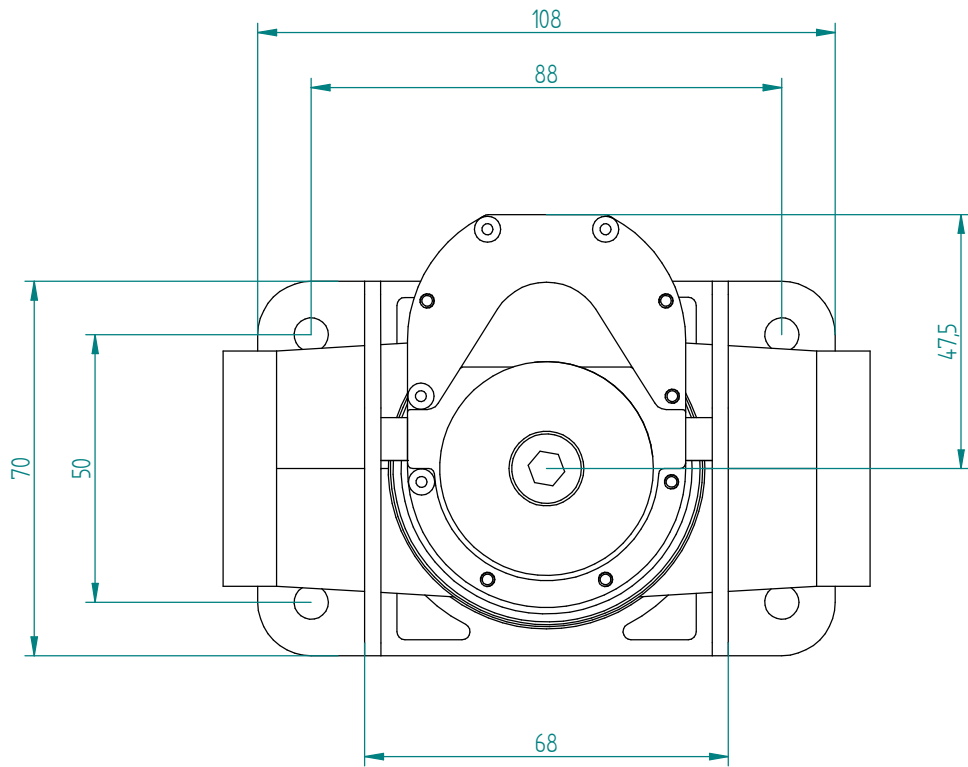


	NAME	DATE	XICOY TURBINES	
DRAWN	usuario	07/05/20		
CHECKED			TITLE TP45 Lateral	
ENG APPR			SIZE A3	DWG NO
MGR APPR			FILE NAME: TP45R3.dft	
UNLESS OTHERWISE SPECIFIED DIMENSIONS ARE IN MILLIMETERS ANGLES ±X.X° 2 PL ±X.XX 3 PL ±X.XXX			SCALE:	WEIGHT:
			SHEET 1 OF 16	



	NAME	DATE	XICOY TURBINES		
DRAWN	usuario	07/05/20			
CHECKED			TITLE TP45 Front		
ENG APPR					
MGR APPR			SIZE A3	DWG NO	REV
UNLESS OTHERWISE SPECIFIED DIMENSIONS ARE IN MILLIMETERS ANGLES ±X.X° 2 PL ±X.XX 3 PL ±X.XXX			FILE NAME: TP45R3.dft		
			SCALE:	WEIGHT:	SHEET 2 OF 16